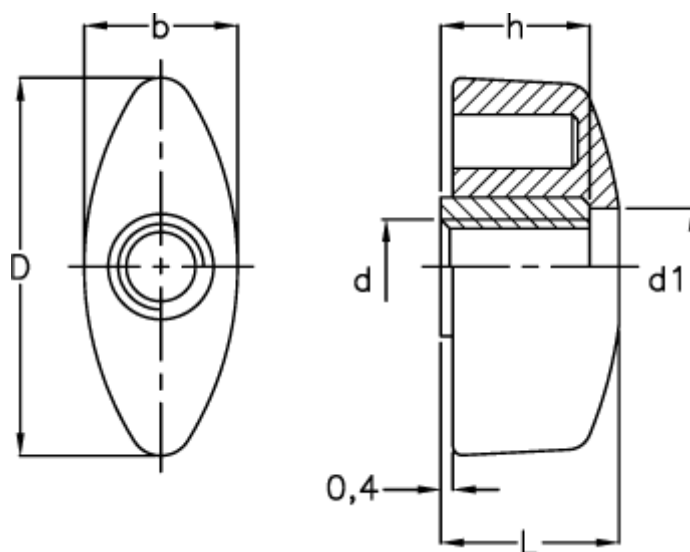


Data Sheet



Article number: 2302008558
Description: E+G Wing knobs
CT.476/56 FP-M10

Measures



b = 21
d = 56
d1 = 11
d 6H = M10
h = 20
L = 23